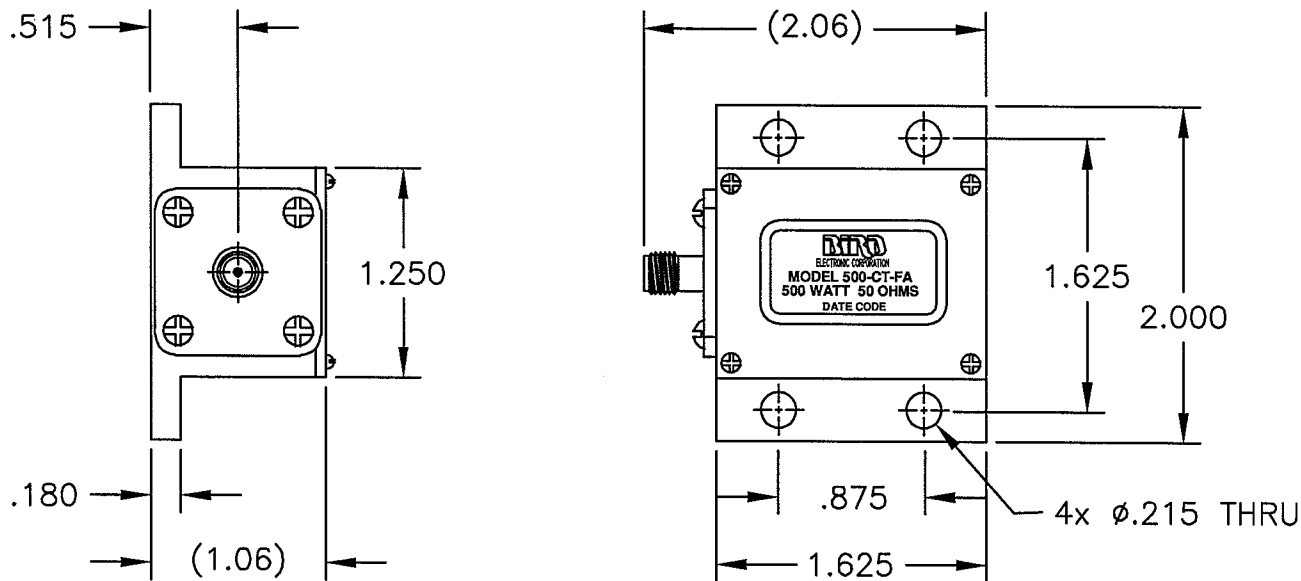


SPECIFICATIONS:

POWER: 500 W AVG. - 2KW PEAK
 - WHEN MOUNTED TO A HEAT SINK
 CAPABLE OF MAINTAINING A CASE
 TEMPERATURE AT OR BELOW 100°C
 FREQUENCY RANGE AND VSWR:
 DC TO 1GHz AT 1.15:1 MAX.
 1GHz TO 3GHz AT 1.30:1 MAX.
 CONNECTOR: SMA FEMALE
 FINISH: BODY-SILVER OR TRI-ALLOY PLATED
 CONNECTOR - GOLD PLATED

REVISIONS		DWG. NO.	500-CT-FA	SHEET	REV
ZONE	REV	DESCRIPTION	DATE	APPROVED	
	A	ECN #0286	4-18-02	<i>MRU</i>	



UNLESS OTHERWISE SPECIFIED
 DIMENSIONS ARE IN INCHES
 TOLERANCES ARE:

FRACTIONS DECIMALS ANGLES
 $\pm 1/64$.XX = $\pm .010$ $\pm 30'$
 .XXX = $\pm .005$

DO NOT SCALE DRAWING

MILLIMETERS
 .X = $\pm .4$
 .XX = $\pm .12$

THIS DRAWING IS THE PROPERTY OF THE BIRD ELECTRONIC CORPORATION. THE DESIGNS AND SPECIFICATIONS DISCLOSED HEREON ARE PROPRIETARY AND SHALL NOT BE REPRODUCED, NOR COPIED, NOR USED AS THE BASIS FOR THE MANUFACTURE OR SALE OF APPARATUS OR DEVICES WITHOUT THEIR EXPRESS WRITTEN CONSENT.



BIRD Electronic Corporation
 Cleveland (Solon) Ohio USA

MATERIAL

FINISH

APPROVALS	DATE	TITLE
DRAWN D.M.RINK	5-30-03	TERMINATION, CONDUCTION COOLED SMA FEMALE, 500W
CHECKED		
APPROVED <i>MARK V</i>	6-23-03	
	AUTOCAD	

SIZE	FSCM NO.	DWG. NO.	REV
A	70998	500-CT-FA	A
SCALE	COMM CODE	SHEET	
1:1	LD1	1 OF 1	